

BM Modular Seating System



Specialised
Orthotic
Services
By *drive*



A soft positioning system designed to introduce basic midline posture control to very young disabled children for early development.



specialisedorthoticservices.co.uk



Made in the UK

SOS17 ISS02 0518

BM Modular Seating System

The BM is a soft positioning system designed to introduce basic midline posture control to very young disabled children for early development.

The BM seating system is lightweight and attaches and detaches easily to the MacLaren Major Buggy frame. Ideal for families with young children, the Major Buggy folds down like a regular pushchair for easy storage and transport. It provides gentle postural support for early development.

Key features:

Postural support from an early age

Many seating systems are too aggressive for very young children. The BM offers gentle support for delicate bodies.

Removable growth liners

Folds down for transportation

The BM seat detaches easily and the MacLaren Major Buggy folds down, fitting in most car boots.

Adjustable foot support

The BM comes with an adjustable footbox, built-in to the seat.

Built in 5 point harness

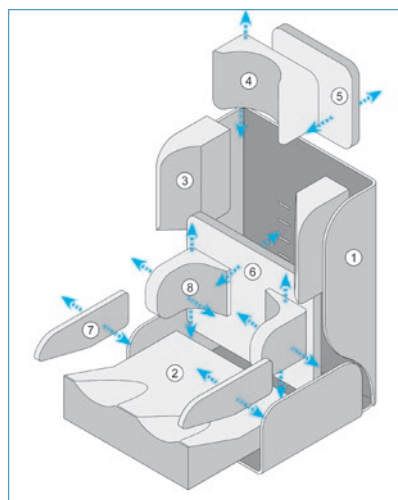
5 point harness with padded straps keeps the client safe and secure whilst helping control posture.



5 point harness included



Designed to fold



- 1 Shell
- 2 Cushion
- 3 Shoulder Pads
- 4 Head Rest
- 5 Head Pads
- 6 Back Pads
- 7 Hip Pads
- 8 Lateral Pads

BM basic dimensions (mm)

Measurements	Min	Max
Hip width	180	280
Leg length	200	300
Shoulder height	200	300
Chest width	140	250



Specialised
Orthotic
Services
by **drive**

For more information, advice or to book a demonstration

call: 0044 (0)1283 520400

email us: enquiries@specialorthotic.com

visit our website: www.specialisedorthoticservices.co.uk

