



Specialised  
Orthotic  
Services

Units 127/128  
Fauld Industrial Park  
Tutbury, Nr Burton upon Trent, Staffordshire.  
DE13 9HS  
Tel: 0044 (0)1283 520 400  
Fax: 0044 (0)1283 520 401  
E-mail: enquiries@specialorthotic.com  
Web: www.specialisedorthoticservices.co.uk

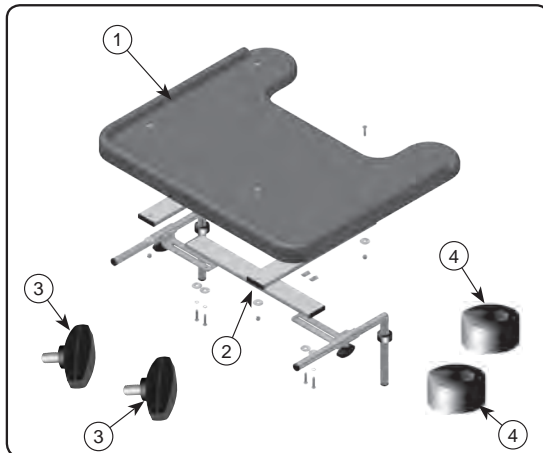
## MOULDED TRAY FITTING INSTRUCTIONS

### CONTENTS

You should have the following:

1. Moulded Tray Top (1 off)
2. Modular Tray System (assembled)
3. M6 Wing Knobs (2 off)
4. Locking Collars (2 off)

If any of the above items are missing, please contact our Customer Services Department on 0044 (0)1283 520400.



### 1. FITTING TRAY

- Release Wing Knobs on Dog Legs and allow them to swing down and make sure height locking collars are in place (Fig.1a).
- Loosen the four screws (See Fig.2b) and adjust the width of the Modular Tray System to suit the wheelchair. Slide Dog Legs down into armrest tubes (Fig.1b).
- Adjust Tray to required height, tighten height locking collars in place (Do Not overtighten) and secure doglegs into wheelchair frame with M6 Wing Knobs provided (Fig.1b).

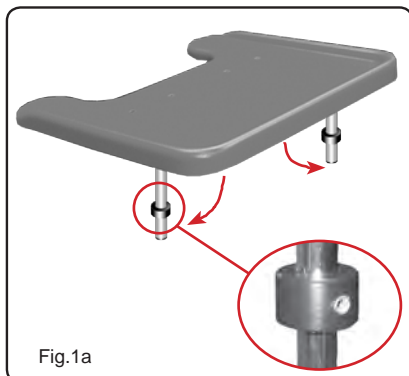


Fig.1a

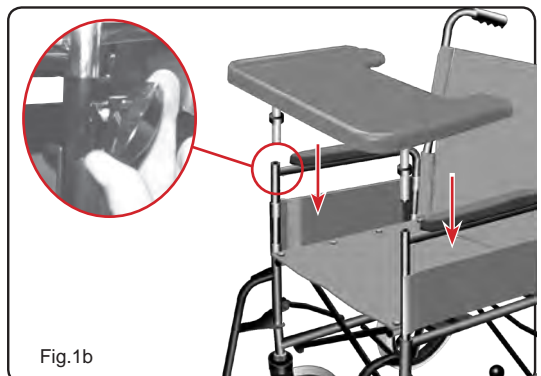


Fig.1b

# 1. ADJUSTING TRAY

- Release Wing Knob for Secondary Forward and Backward adjustment of tray (Fig.2a). Re-tighten when adjusted.
- Release the four M5 screws for Primary adjustment of tray (Fig.2b). Re-tighten when adjusted.
- Slide brackets Left and Right for adjusting width of Modular Tray System (Fig.2c) to suit wheelchair.
- Slide Cross beam Forwards and Backwards for Primary adjustment of tray position (Fig.2d).

