



Specialised
Orthotic
Services

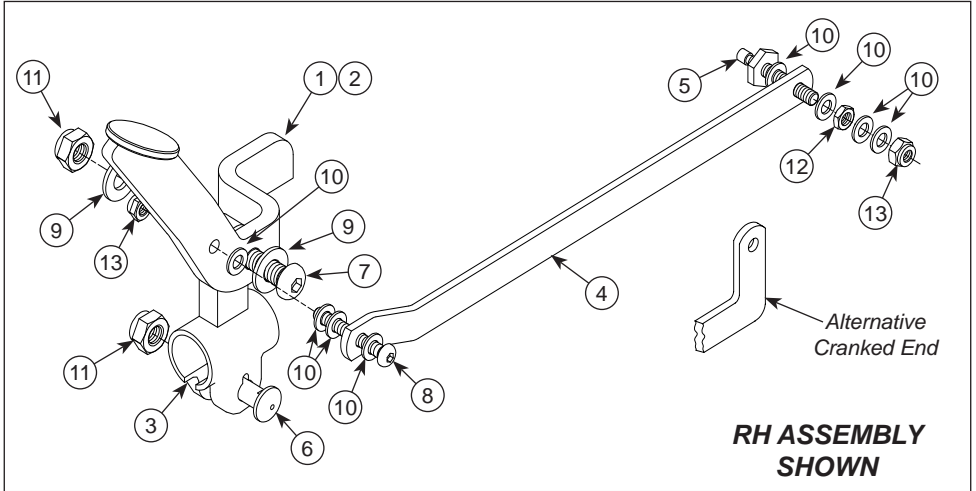
ATTENDANT PARKING BRAKES



USER'S MANUAL

ALL USER'S OF THE EQUIPMENT SHOULD BE AWARE
OF THIS DOCUMENT AND IT'S CONTENTS

CONTENTS



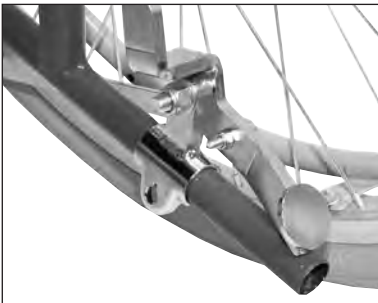
1. RH Foot Operating Lever ~ 1 off
2. LH Foot Operating Lever ~ 1 off (not shown)
3. Location Clamp ~ 2 off
4. Brake Link Arm ~ 2 off
5. Return Spring Spindle ~ 2 off
6. M8 Peg Bolt ~ 2 off
7. M8 x 30 Set Screw ~ 2 off
8. M5 x 20 Set Screw ~ 2 off
9. M8 Washer ~ 4 off
10. M5 Washer ~ 16 off
11. M8 Nyloc Nut ~ 4 off
12. M5 Locknut ~ 2 off
13. M5 Nyloc Nut ~ 4 off

TOOLS REQUIRED



3 & 5mm Allen Keys
8, 10 & 13mm Spanners

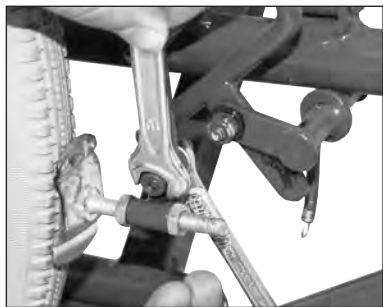
FITTING INSTRUCTIONS



1. Remove the rubber grip from the tilt lever and slide on the brake assembly via the location clamp.



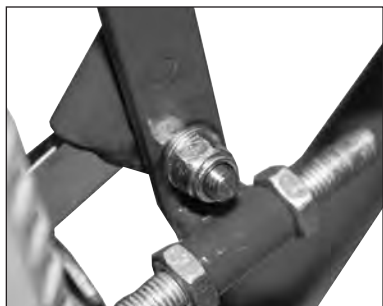
2. Unhook the return spring from the spindle on the original brake lever assembly.



3. Remove the nut from the return spring spindle and remove the spindle from the brake lever assembly.



4. Slot the new return spring spindle and link arm assembly into the hole on the brake lever assembly vacated by the original spindle.



5. Retain the new spindle with the new M5 Nyloc Nut supplied in kit. Once tightened back off the nut about 30° to allow the brake lever to operate.



6. Hook the return spring on to the new spindle.



7. Apply the original brake lever and the new lever in to their on positions to establish the correct position of the clamp.



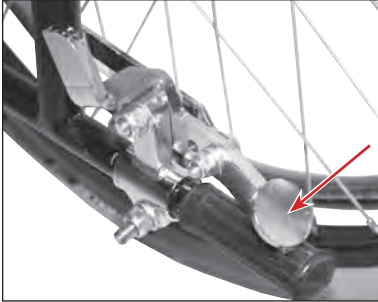
8. Whilst the brakes are on, tighten the clamp to the tilt lever.



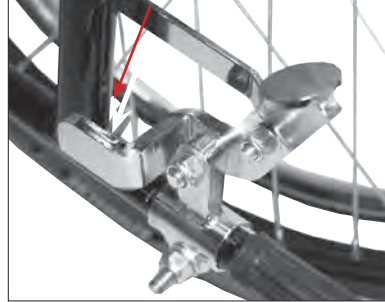
9. Re-fit the rubber grip to the tilt lever if possible. Repeat procedure for other side

**OPERATING INSTRUCTIONS ON
REVERSE**

USER INSTRUCTIONS



1. To apply the brakes: Push down on the rear part of the lever (as shown) until the lever is fully down.



2. To release the brakes: Push down on the front part of the lever (as shown) until the brakes are clear of the tyre.

Note: *Make sure the brakes are correctly applied and the wheels are locked in position before releasing the wheelchair.*

Cleaning & Maintenance:

- Clean the parts with a damp cloth.
- Check for any signs of wear, damage and operation on a daily basis.
- Lubricate any moving parts whilst carrying out routine maintenance on wheelchair.

Should any problems arise due to faulty manufacturing & materials under normal everyday use then it is covered by our comprehensive 12 months warranty from the date of purchase (For terms and conditions please consult our Customer Services Department).

Specialised Orthotic Services Ltd cannot be held responsible for any unauthorised use or incorrect fitting whether resulting in personal injury or not and any damage caused to equipment not supplied with the tray.

The company has a policy of continual development and we reserve the right to alter specification and design without prior notification. All products manufactured are covered by design rights or patents. This document is the copyright of the company and the contents are its intellectual property.

If you require further copies of this handout or require further details relating to any of its content, then please contact us (Copyright applies):



Specialised
Orthotic
Services

Unit 127/128, Fauld Industrial Park, Tutbury, Staffordshire. DE13 9HS.

Tel: 0044 (0)1283 520400 Fax: 0044 (0)1283 520401

E-mail: enquiries@specialorthotic.com